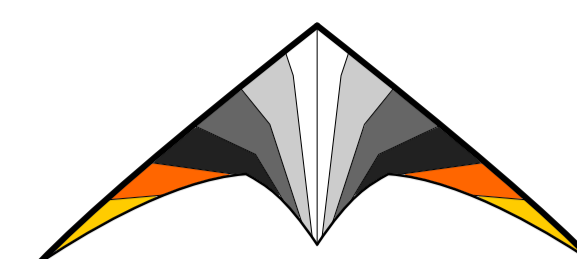


Return Mini 2020

designed by Birger Garbe / Ulzburger Kites

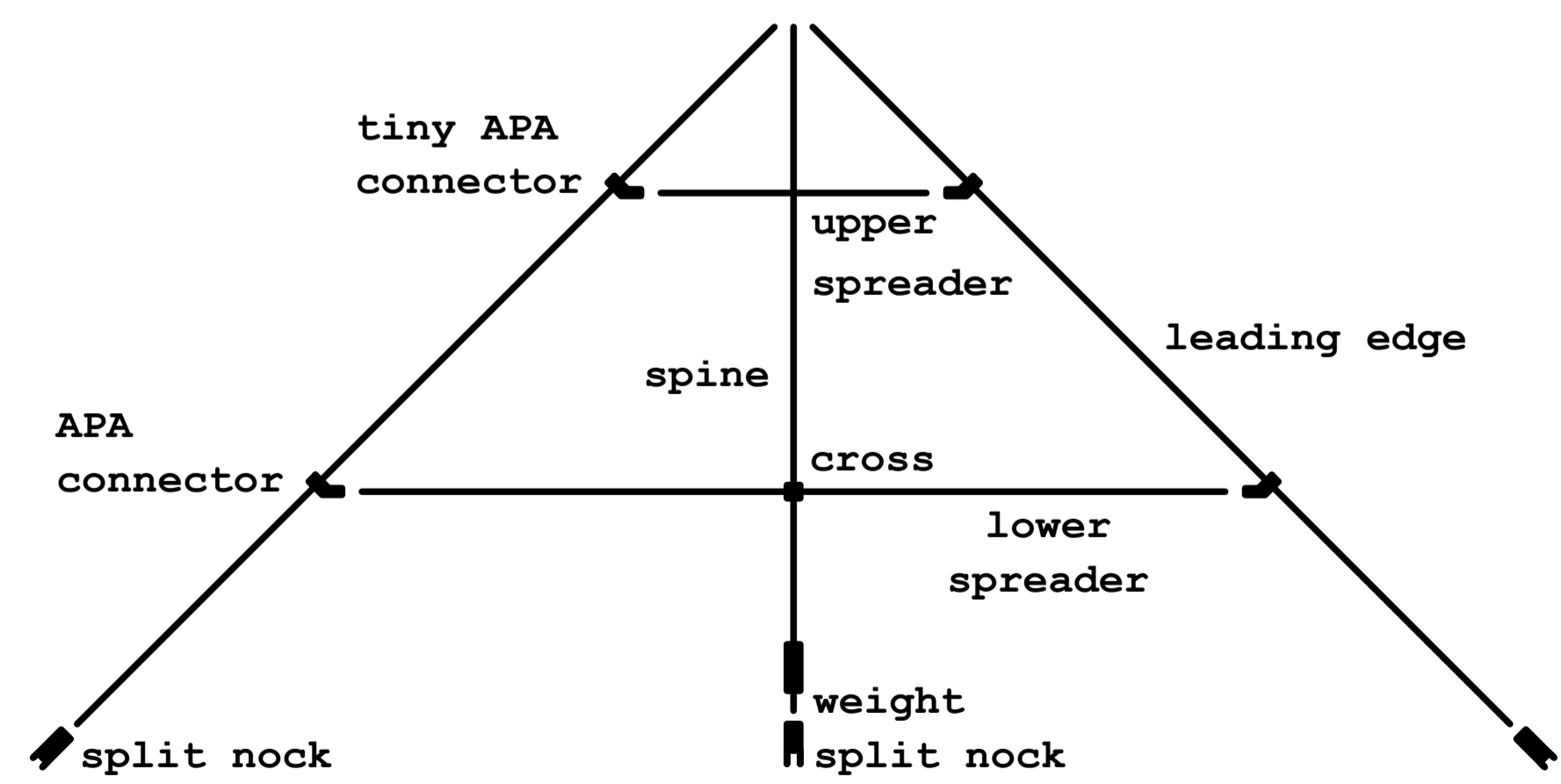
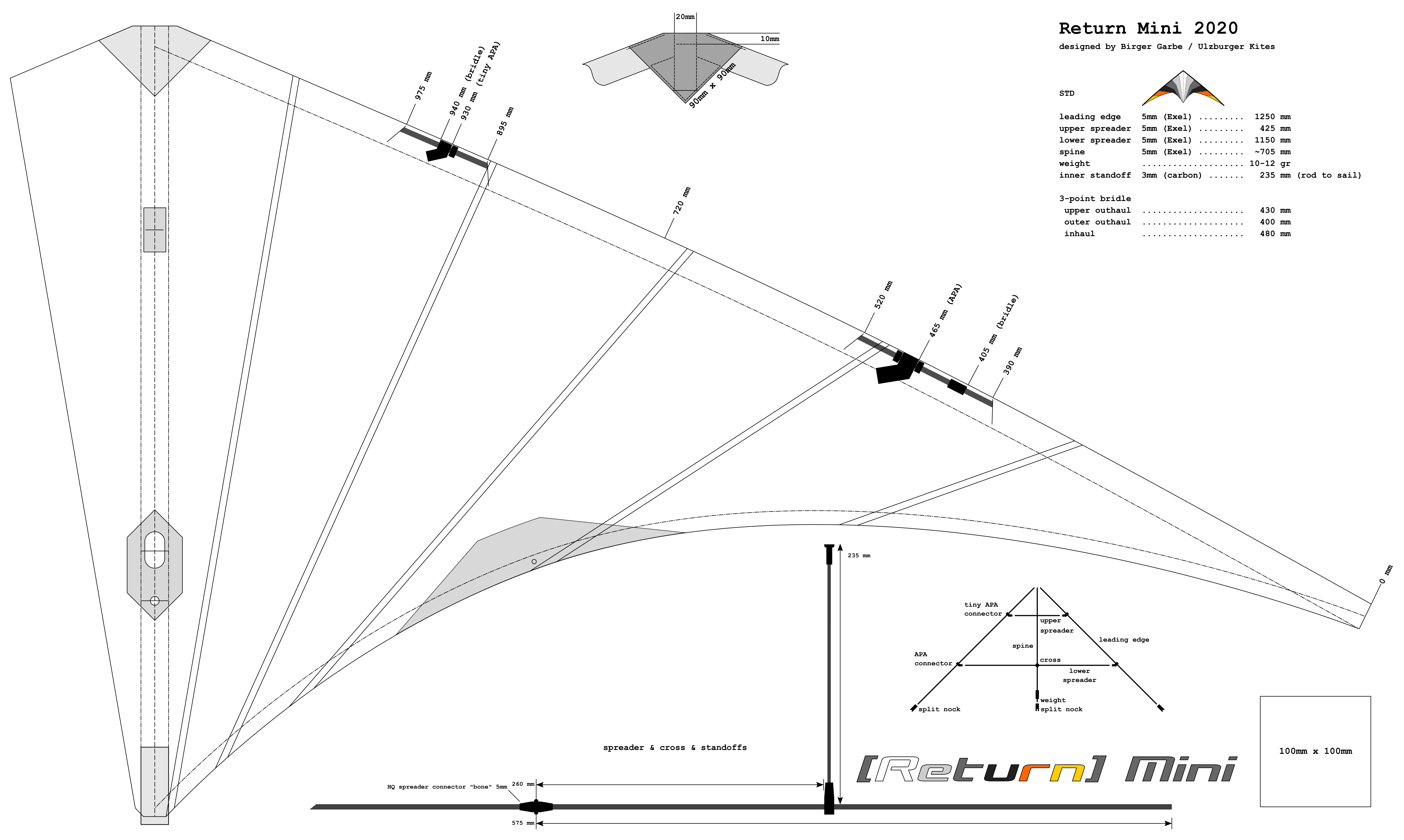
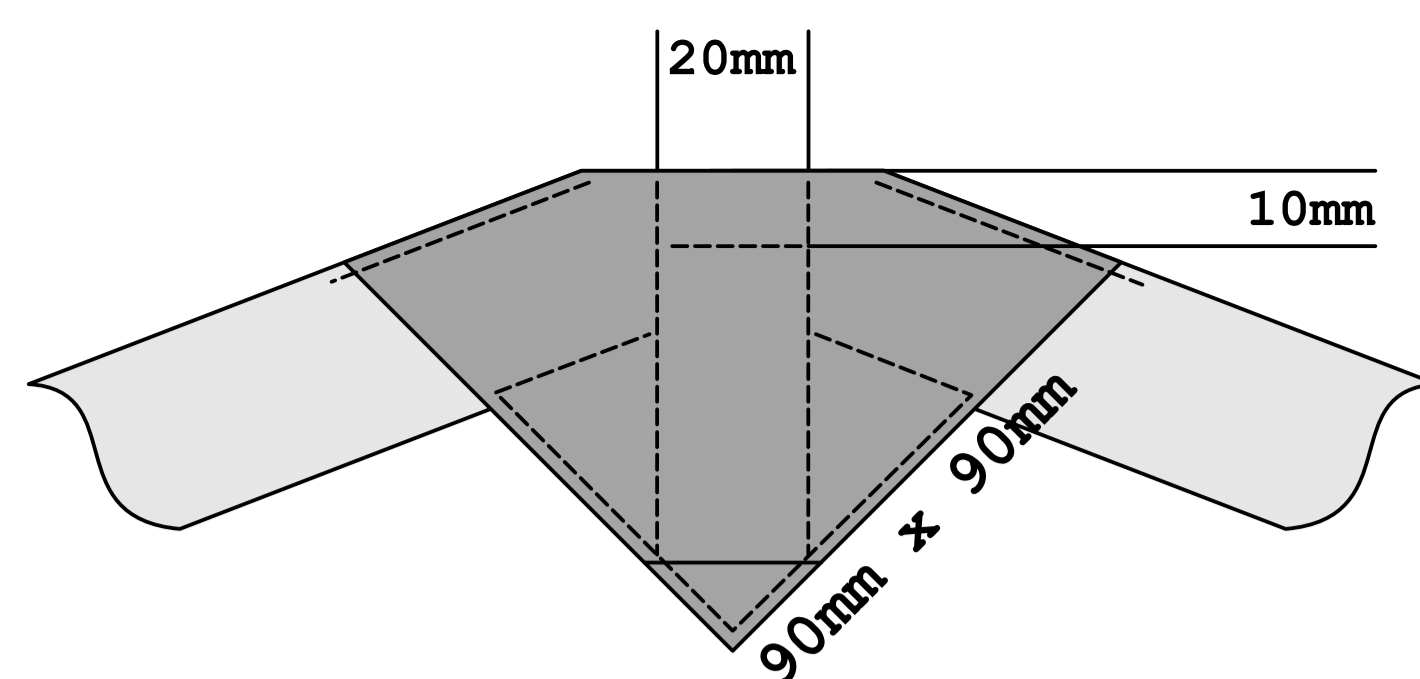


STD

leading edge	5mm (Exel)	1250 mm
upper spreader	5mm (Exel)	425 mm
lower spreader	5mm (Exel)	1150 mm
spine	5mm (Exel)	~705 mm
weight		10-12 gr
inner standoff	3mm (carbon)	235 mm (rod to sail)

3-point bridle

upper outhaul	430 mm
outer outhaul	400 mm
inhaul	480 mm



spreader & cross & standoffs

[Return] Mini

100mm x 100mm