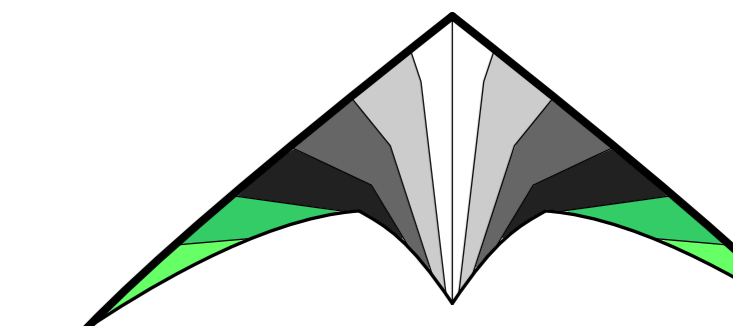


# Return Maxi 2020

designed by Birger Garbe / Ulzburger Kites

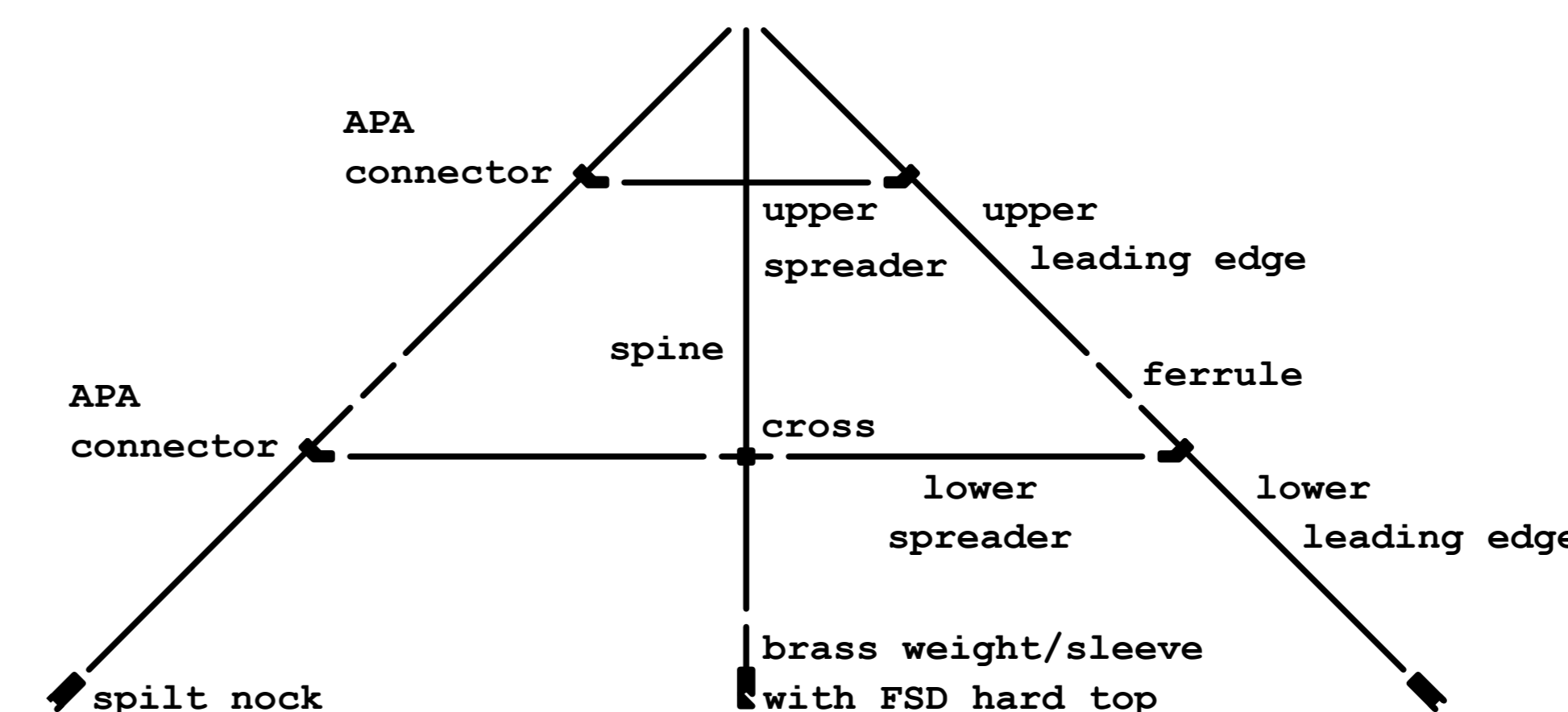
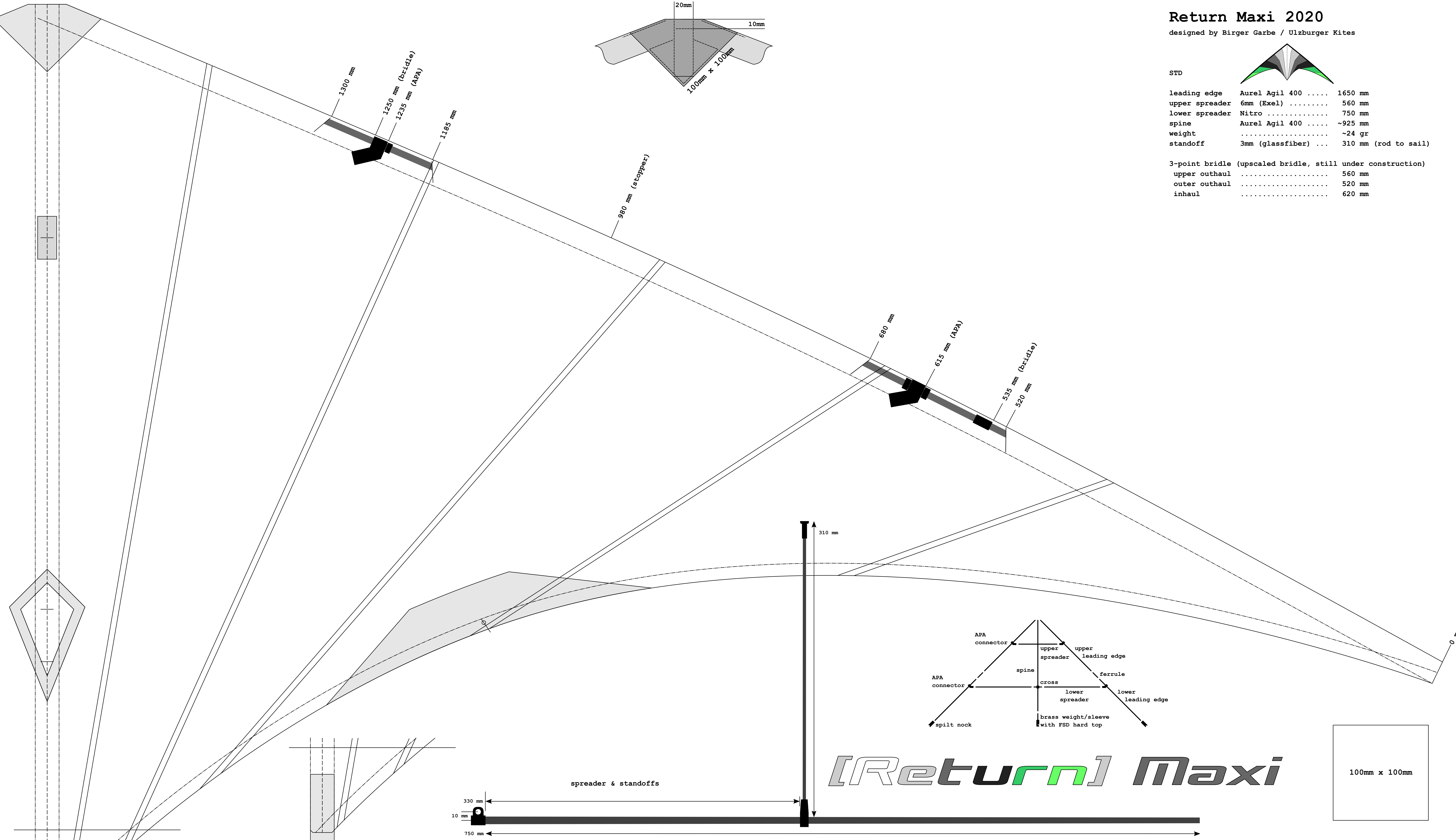
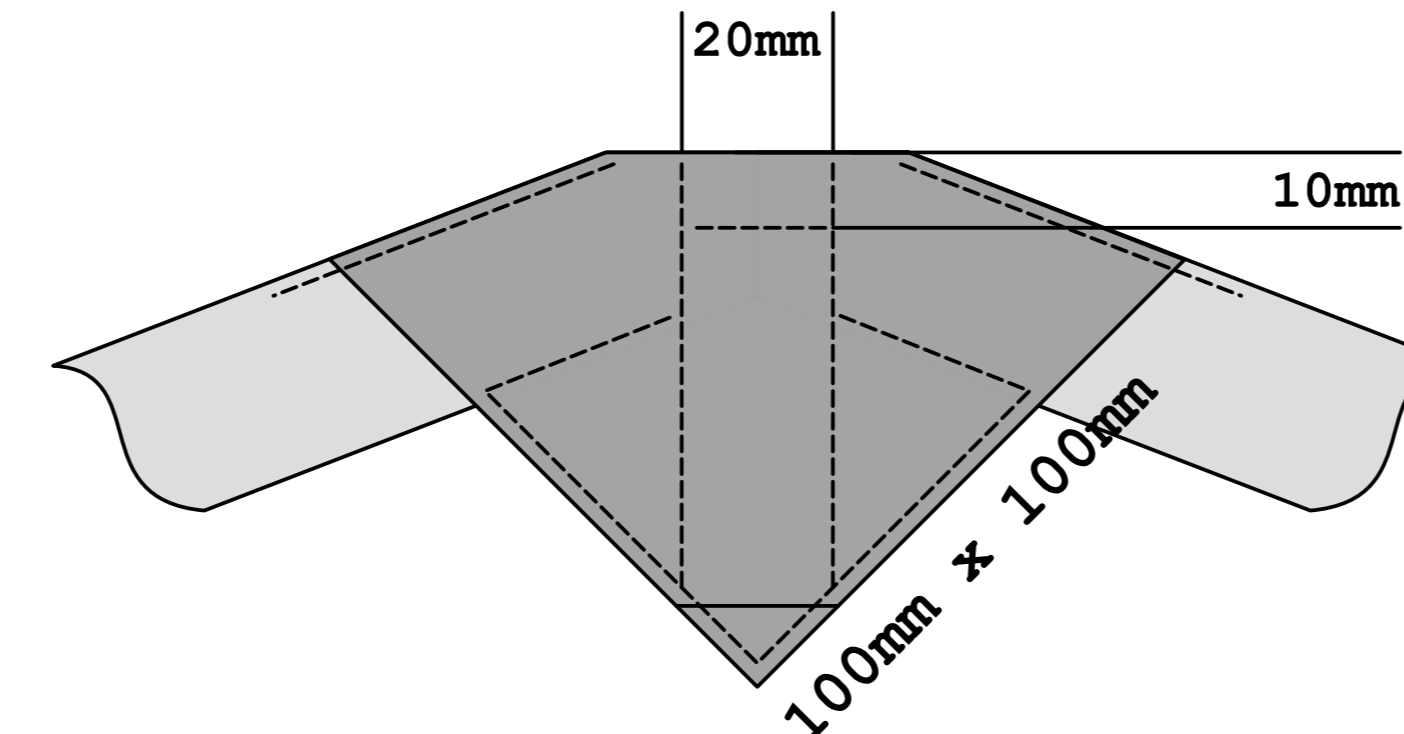


STD

leading edge	Aurel Agil 400	.....	1650 mm
upper spreader	6mm (Exel)	.....	560 mm
lower spreader	Nitro	.....	750 mm
spine	Aurel Agil 400	.....	~925 mm
weight			~24 gr
standoff	3mm (glassfiber)	...	310 mm (rod to sail)

3-point bridle (upscaled bridle, still under construction)

upper outhaul	.....	560 mm
outer outhaul	.....	520 mm
inhaul	.....	620 mm



# [Return] Maxi

100mm x 100mm

