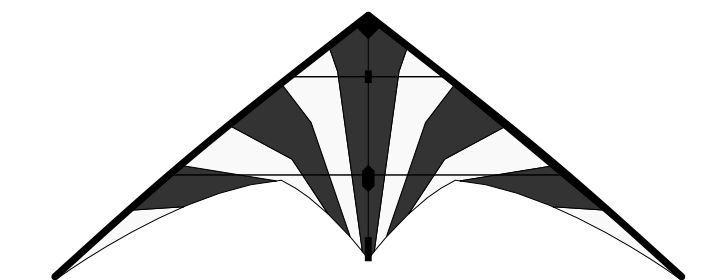


[Return] 2017

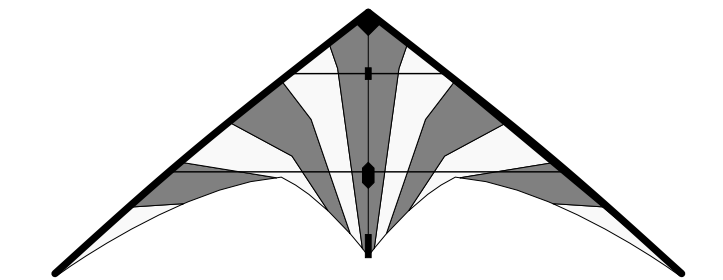
designed by Birger Garbe / Ulzburger Kites

STD



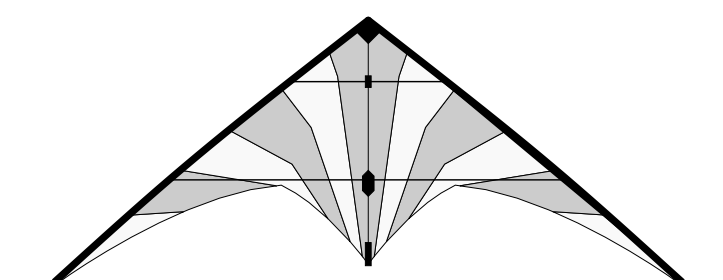
leading edge	5PT	1450 mm (825 + 625)
upper spreader	5mm	495 mm
lower spreader	5PT	660 mm
spine	P200	~800 mm
weight (brass)	6mm/70mm	~17 gr
Standoff	3mm	260 mm

UL



leading edge	3PT	1450 mm (825 + 625)
upper spreader	5mm	495 mm
lower spreader	3PT	660 mm
spine	P100	~800 mm
weight (brass)	6mm/80mm	~20 gr
Standoff	3mm	270 mm

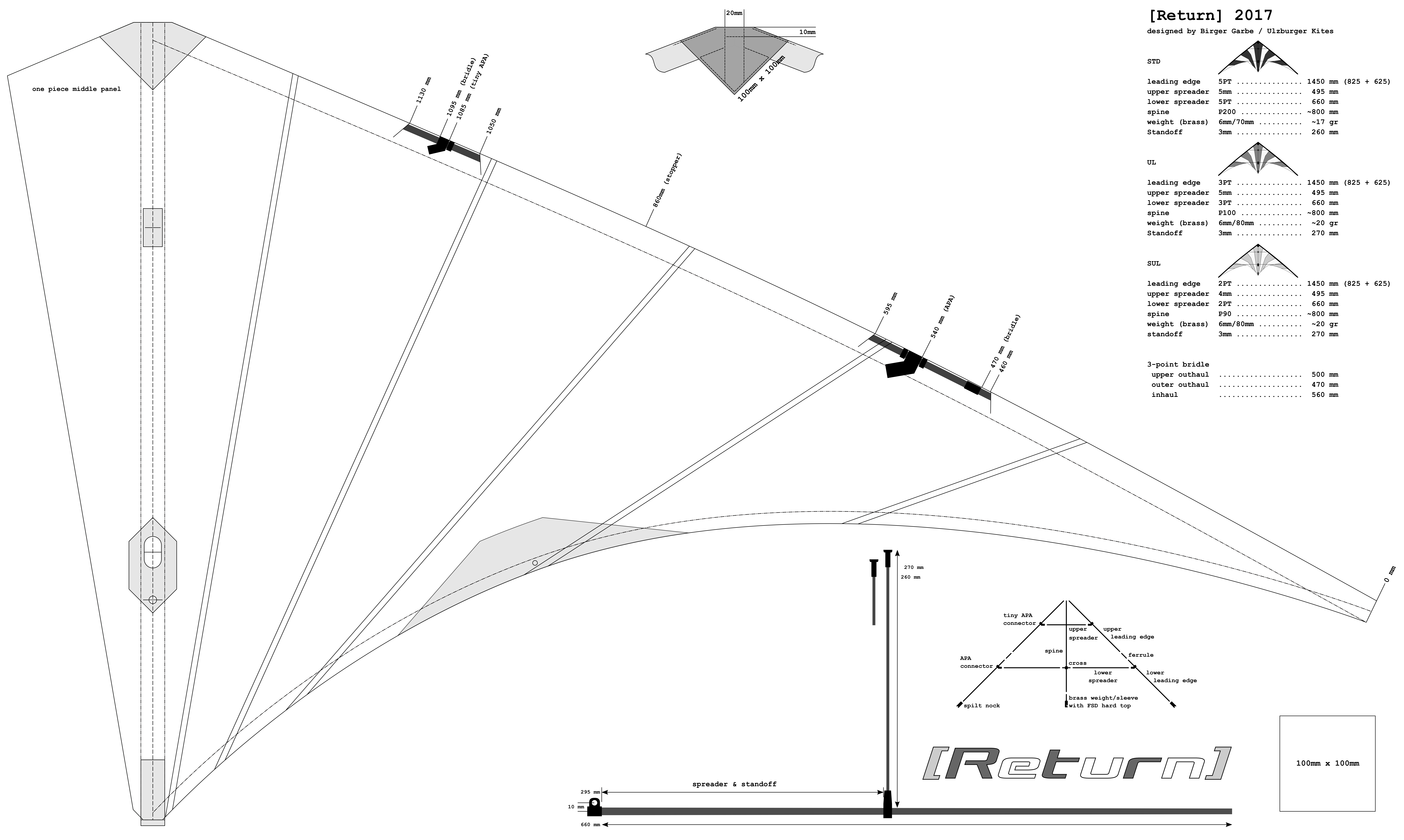
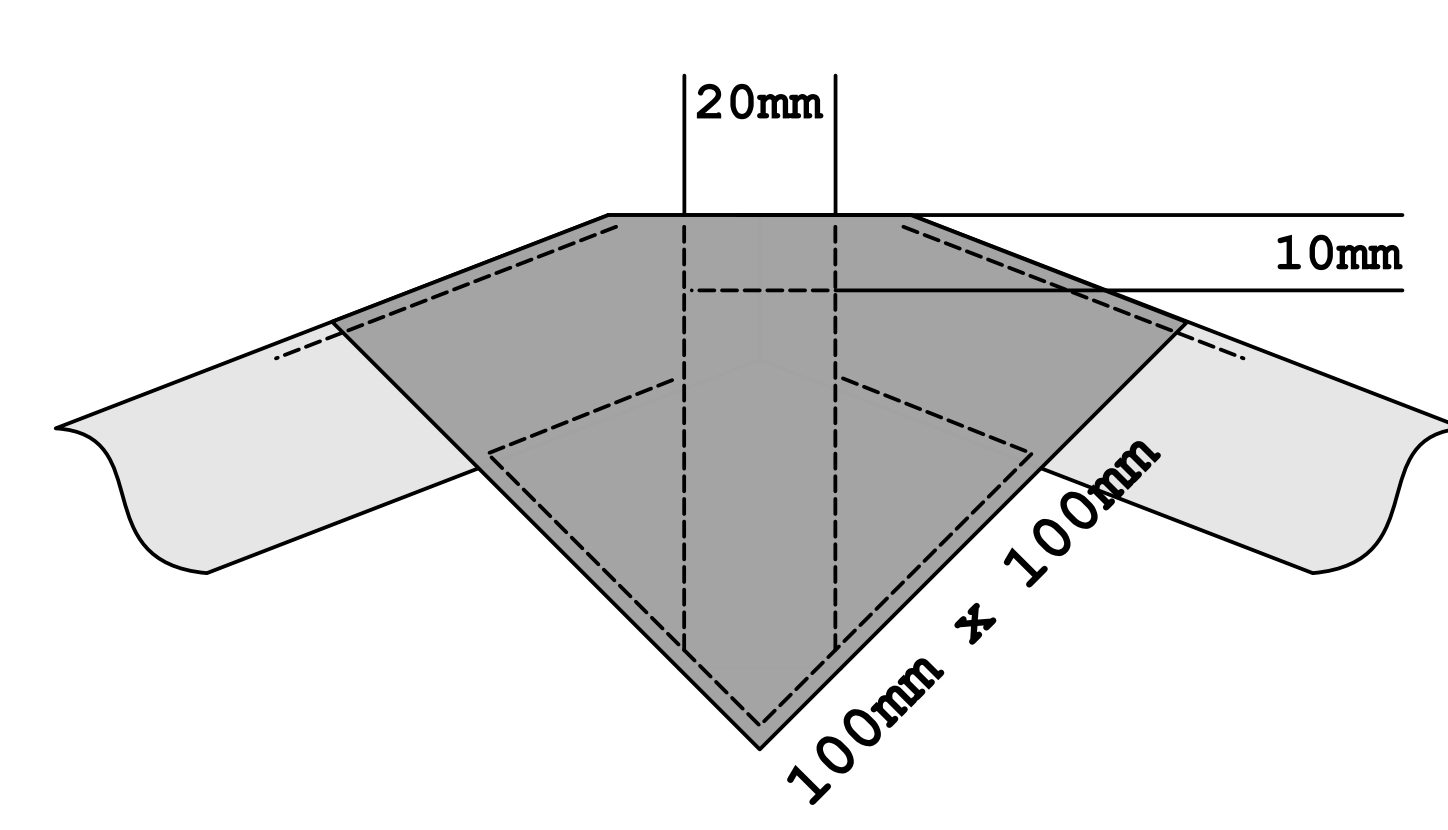
SUL



leading edge	2PT	1450 mm (825 + 625)
upper spreader	4mm	495 mm
lower spreader	2PT	660 mm
spine	P90	~800 mm
weight (brass)	6mm/80mm	~20 gr
standoff	3mm	270 mm

3-point bridle

upper outhaul	500 mm
outer outhaul	470 mm
inhaul	560 mm



[Return]